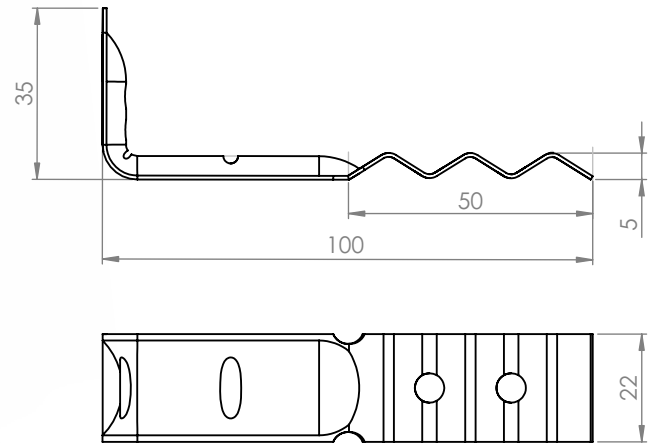


Stubi Fast Fix Veneer Tie



DESCRIPTION

Stubi fast fix veneer tie for timber or steel stud construction Type A / 50mm cavity, Save installation time with the pre installed multi purpose screw for timber and metal framing. Supplied with the extra long driver bit to make installation easy as well as fast

FEATURES

- Clay brick
- Maximum cavity 50mm
- **Fast installation** due to the pre installed Cerra multi purpose screw
- **Easy installation** due to the included long reach driver
- Universal applications
- Australian design & tested AS/NZS 2699.2:2020

FIXING REQUIREMENTS

- Pre installed Cerra multi purpose screw for metal and timber framing

CORROSION CHARACTERISTICS

STUBI-FF

Hot dipped galvanising (R3)
 Conforms to corrosion resistance set by AS/NZS 2699.2:2020 / AS 3700.

CERRA MULTI PURPOSE SCREW

Hex head 10g X 35mm (Metal / Timber)

ORDERING INFORMATION

When ordering please supply use with the part number and quantity you require

STUBI-FF

PRODUCT CODE

